

RMS-I-VC

4-20mA Converter

© 2012 CONTEG, spol. s r.o.

All rights reserved. No part of this publication may be used, reproduced, photocopied, transmitted or stored in any retrieval system of any nature, without the written permission of the copyright owner.

Although this manual was prepared and checked with the best care, CONTEG, spol. s r.o. cannot accept any liability for omissions or errors in this publication. Due to the continuous development and progress, CONTEG, spol. s r.o. also reserves the right to change details and technical specifications of the products described in this manual. Such changes along with eventual errors or printing errata shall not constitute grounds for compensation.

Content

| | |
|---|---|
| 1. Introduction..... | 3 |
| 2. Specifications & Features..... | 3 |
| 3. Configuring the 4-20mA Converter | 4 |
| 4. Troubleshooting | 5 |

1. Introduction

The 4-20 mA signal converter is used to integrate the unit with a 4-20 mA transmitter. 4-20 mA technology is used to communicate analog signals over long distances where electrical interference is a problem. This solution is often used in the process control industry to collect the analog values from a wide array of remote sensors. Current signals are much less susceptible to noise than voltage signals. A voltage signal can be converted to current and then broadcast over a long distance before it is converted back to voltage and read by the unit.

4-20 mA transmitters are common in the industry for use with high quality sensors. With the 4-20 mA converter, these sensors can now be integrated into the unit, enhancing their value with the addition of graphing, web interface, email interface, thresholds, and limits.

One popular OID for the 4-20 mA Converters is the current reading.

For a 4-20 mA Converter plugged into RJ45#1 that OID is: .1.3.6.1.4.1.3854.1.2.2.1.17.1.3.0

2. Specifications & Features

- Electronics housed in small plastic case
- LED indicators on Converter show connection to unit
- Communications cable - RJ-45 jack to sensor using UTP Cat 5 wire.
- Power source: powered by the unit. No additional power needed.
- The unit auto detects the presence of the 4-20mA Converter
- Full autosense including disconnect alarm
- The accuracy of our 4-20mA converters is 2%.
- The resolution of our 4-20mA converters is 0.1mA

3. Configuring the 4-20mA Converter

- a) Plug the sensor into one of the RJ45 ports on the rear panel of the unit.
- a) Now point your browser to the IP address of the unit (default, 192.168.0.100). Next you need to login as the administrator using your administrator password (default is “public”). You will then be taken to the summary page.
- b) From the summary page you need to select the sensors tab. The layout of the next page will vary depending on your unit so please refer to your units manual.
- c) You should now be able to setup the thresholds for your sensor. The low critical, low warnings, normal, high warnings, high critical values can be set from this page.

Current Reading: The percentage or absolute value of 4-20mA Converter is displayed in this field. This is a read-only field. This value can be polled via SNMP, and the data can be used for graphing. The value range is set by the base and max scale fields in the Custom 4-20mA Converter Settings Section.

Status: The current reading is compared to the thresholds of Critical High, Warning High, Critical Low, and Warning Low that the user has set. From this, the status is then formed, and emails, traps are sent if necessary.

Critical High, Warning High, Warning Low, and Critical Low: These thresholds should be re-entered every time there is a change in the type of scale (whether an absolute value or a percentage value is used)

Display Units: This field should be entered with an appropriate unit of the measured entity. For example, this field might be entered with Pounds or Lbs when the input of the 4-20mA Converter is a measured pressure, or mA for an absolute value of measured current.

Type of scale: This field is used to select whether to display the current reading as an absolute or a percentage value.

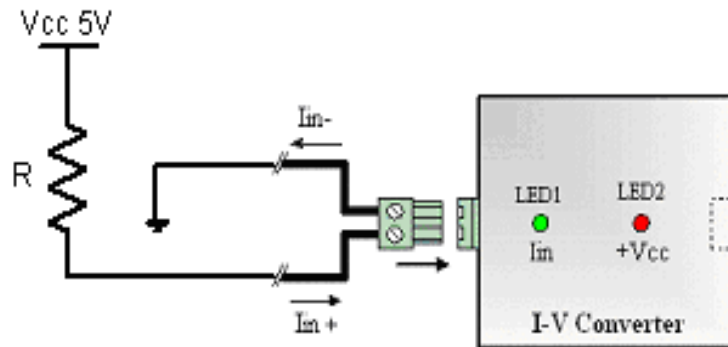
Max Scale of Sensor in mA: This field should be entered with the maximum value of the mA that is input to the 4-20mA Converter. For most cases, the value of this field should be 20.

Base Scale of Sensor in mA: This field should be entered with the minimum value of the mA that is input to the 4-20mA Converter. For most cases, the value of this field should be 4.

How Many Percent or How Many Unit (Max Scale): The field name is changed accordingly to the selected type of scale (absolute value or percentage). When the type of scale is set to Absolute, this field should be set to the maximum absolute value of a measured entity which is input to the 4-20mA Converter. When the type of scale is set to Percent, this field should be set to 100 percent.

How Many Percent or How Many Unit (Base Scale): The field name is changed accordingly to the selected type of scale (absolute value or percentage). When the type of scale is set to Absolute, this field should be set to the minimum absolute value of a measured entity which is input to the 4-20mA Converter. When the type of scale is set to Percent, this field should be set to 0 percent.

Below is an illustration of a typical 4-20mA setting:



| Input A | Percent (%) |
|---------|-------------|
| 4.06 mA | 1 |
| 9.9 mA | 36 |
| 15.1 mA | 69 |
| 19.8 mA | 99 |

4. Troubleshooting

If the 4-20mA sensor has a red LED lit, but no green LED then it means the sensor has power, but the signal is lower than 4mA. In this case, please check the polarity of the wires is correct as per the diagram above.