

# INSTALLATION INSTRUCTIONS

## SEPARATION FRAME

**DP-RSF-CW**

**DP-RHF-CW**

**DP-ROF-CW**

**980 062 rev.B**

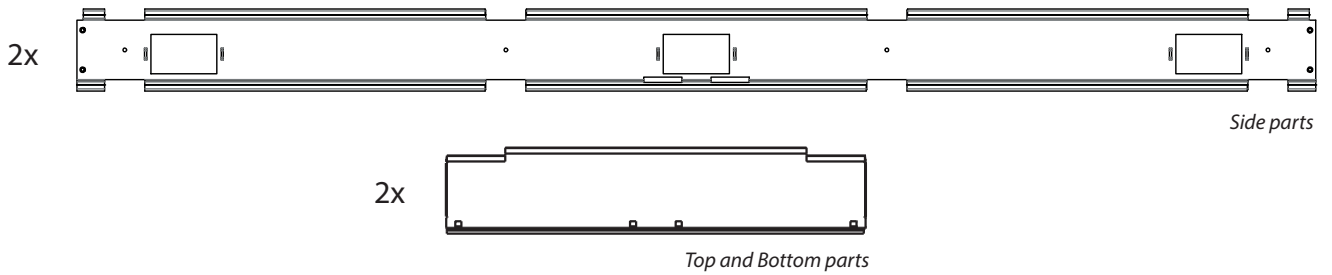


980 062 rev.B





[www.conteg.com](http://www.conteg.com)  
...to complete your network

# 1. Package includes:

## 1.1 Parts of separation frame



## 1.2 Hardware kit (included)

CONNECTING MATERIAL ELEMENTS				
		DP-RSF-CW (pcs)	DP-RHF-CW (pcs)	DP-ROF-CW (pcs)
M5x12		20	16	16
M5 NUT		12	8	8
5,3 WASHER		12	8	8
BLANK PANEL		6		

## 1.3 Requested tools (not included)



Hex key size 3



Spanner size 8



Screwdriver cross

## 1.4 Legend



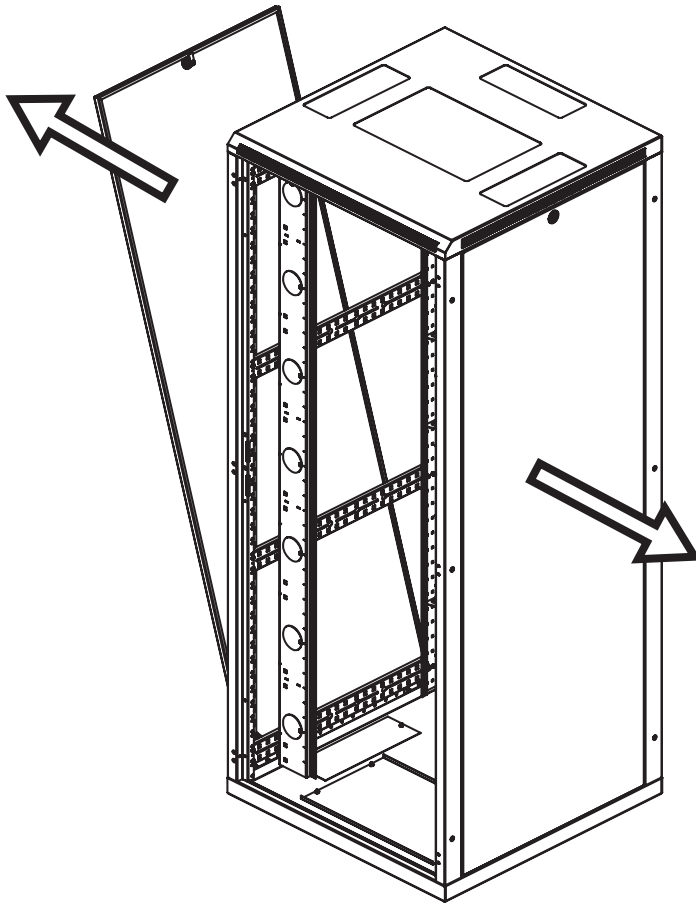
WORKING AREA



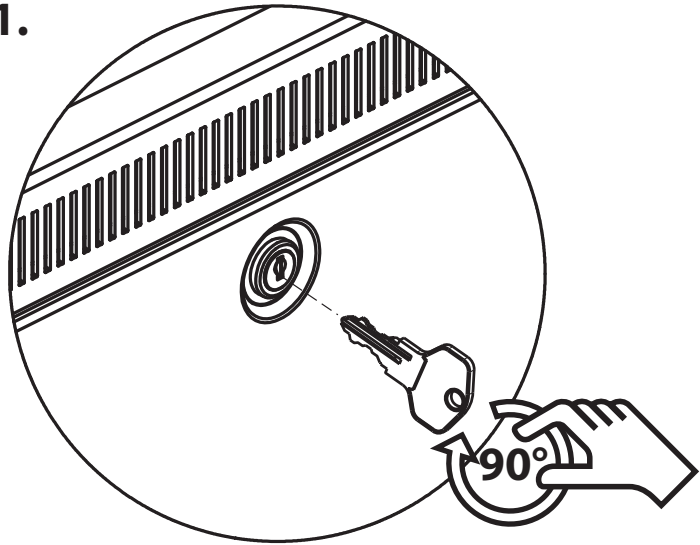
HAND MANIPULATION



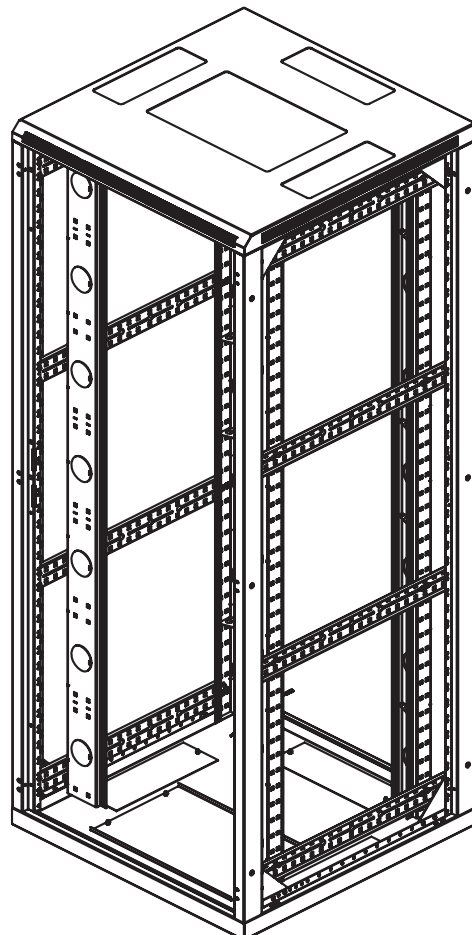
## 2. Assembly



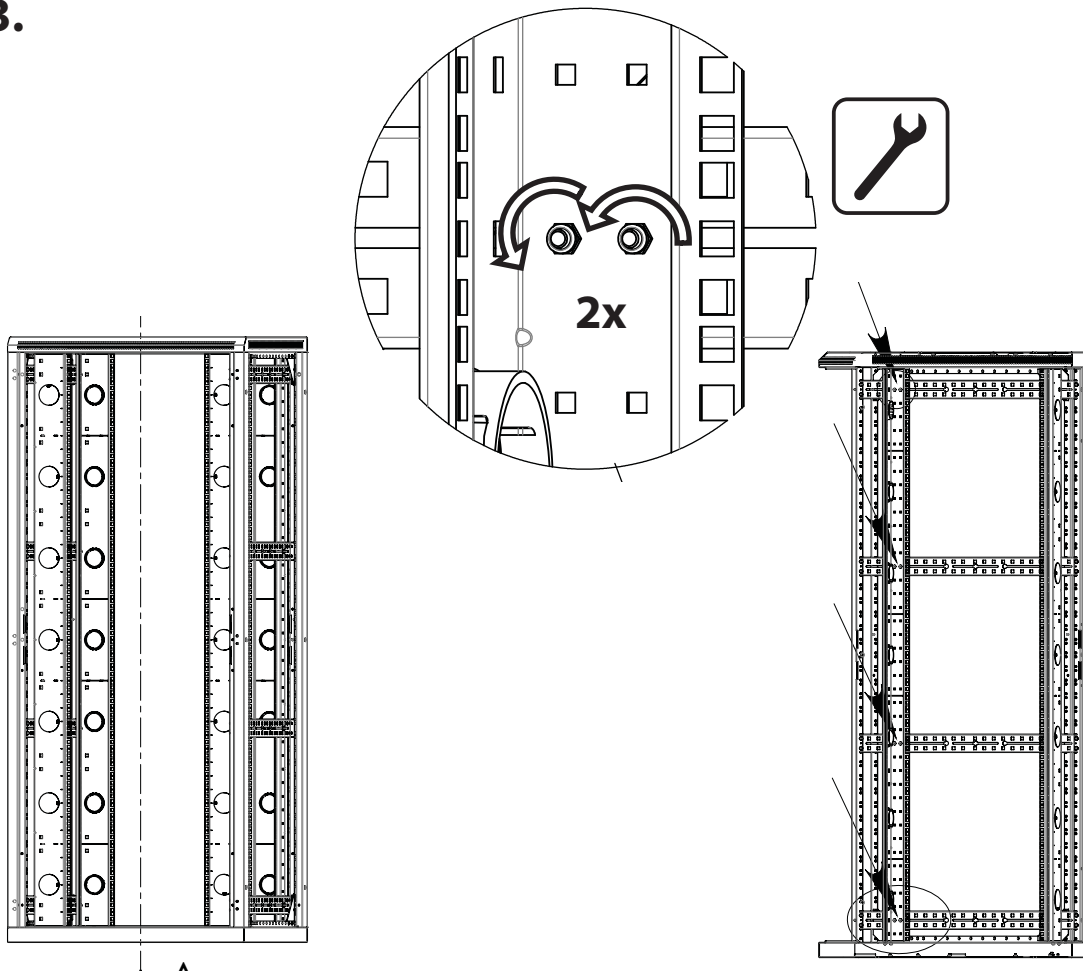
2.1.



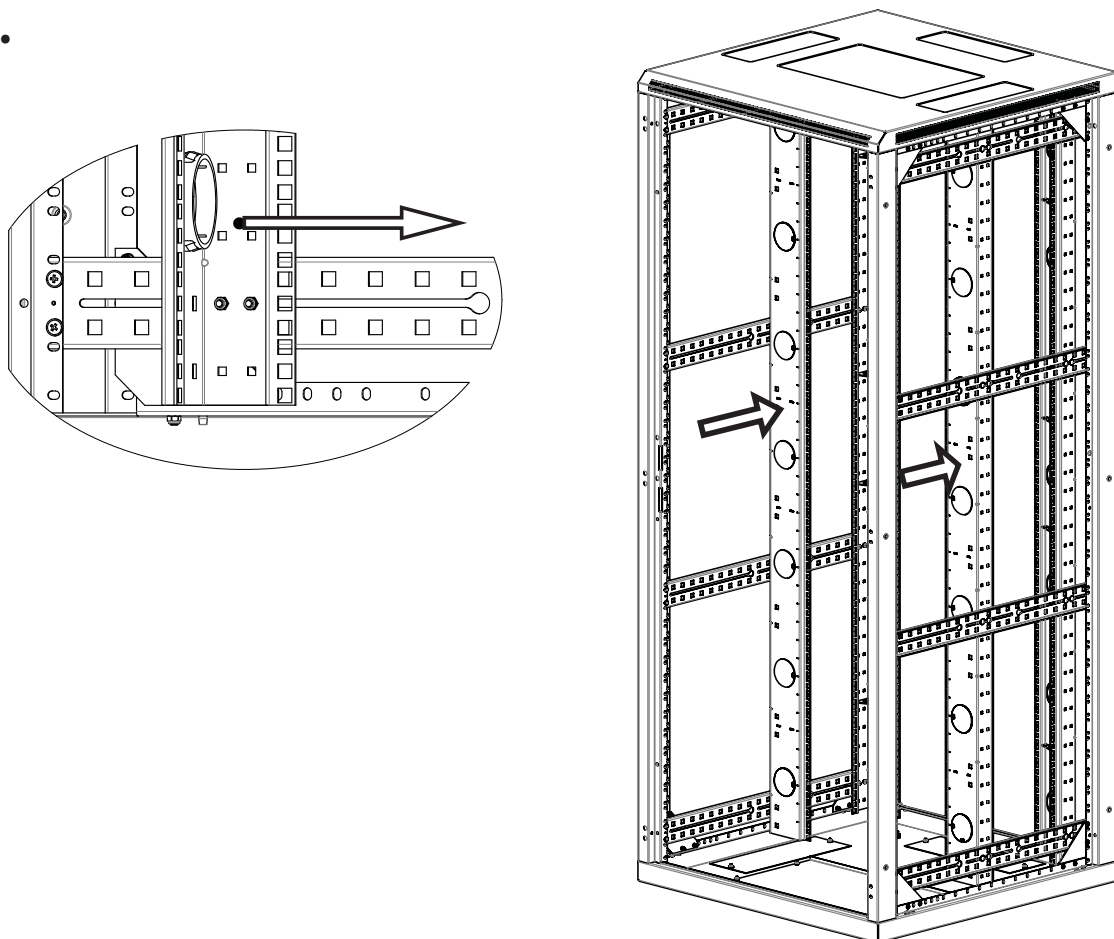
2.2.



### 2.3.

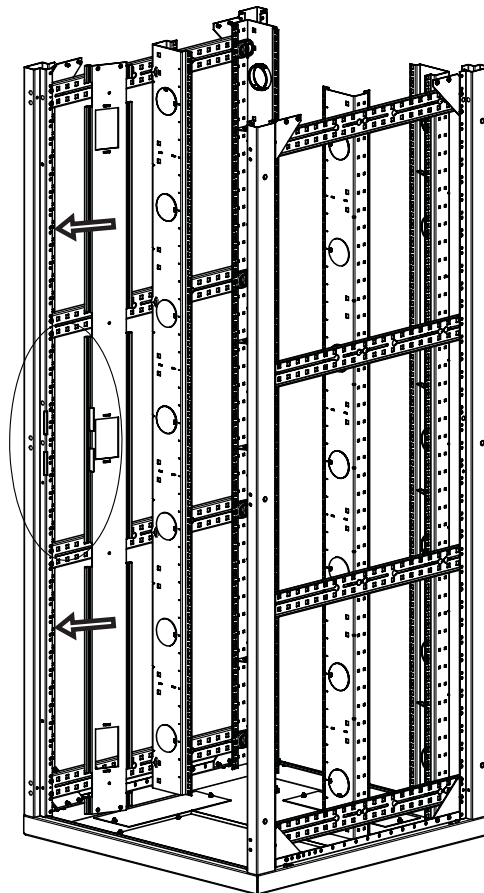
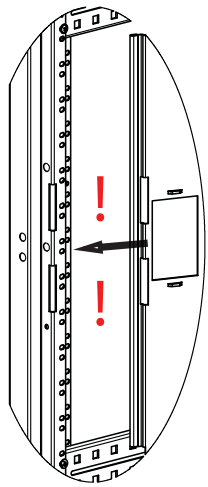
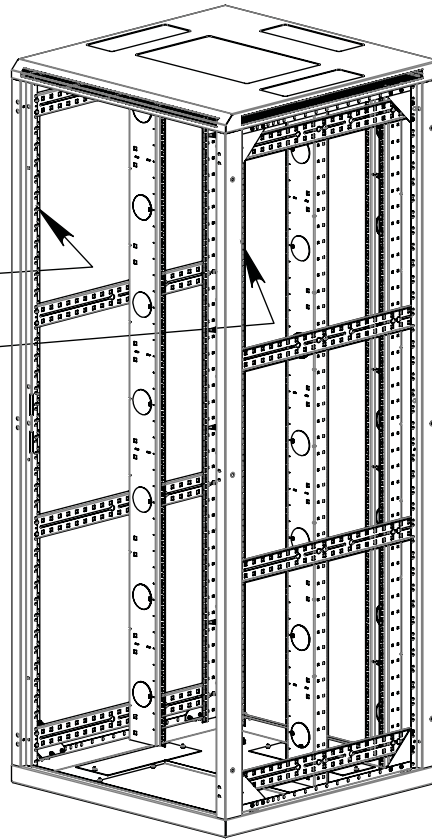


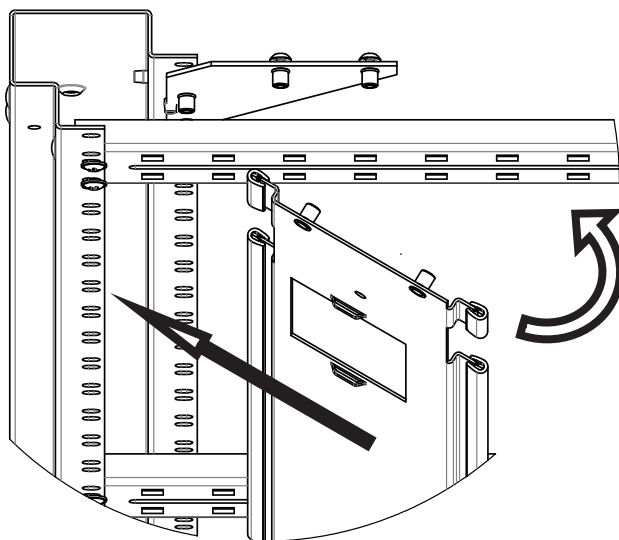
### 2.4.



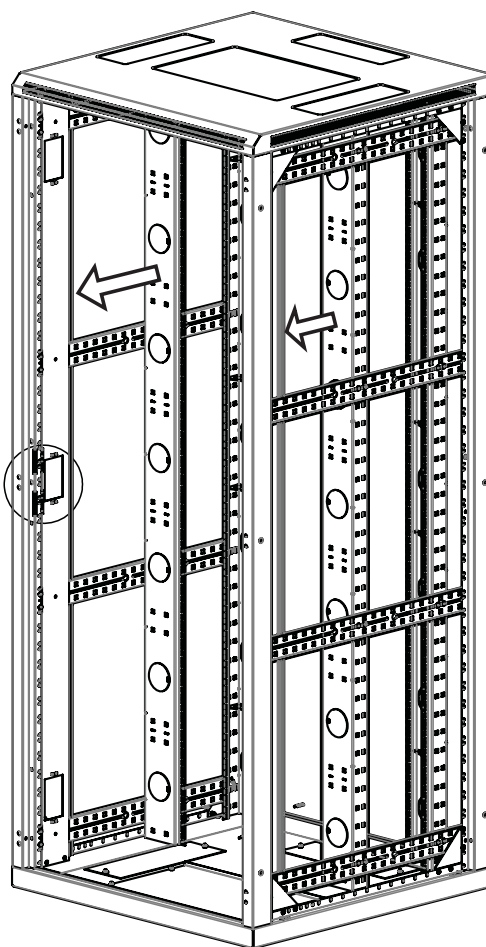
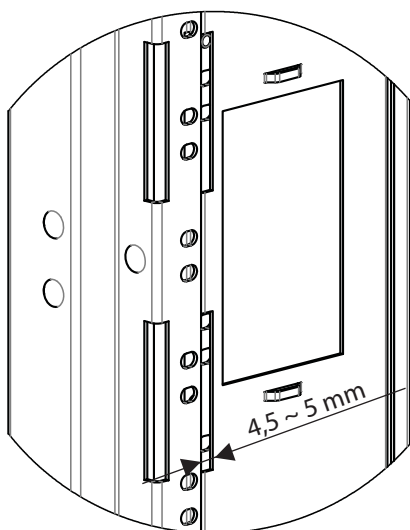
## 2.5.

2x

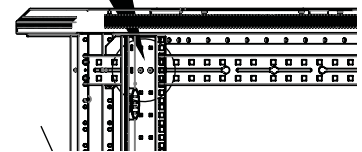
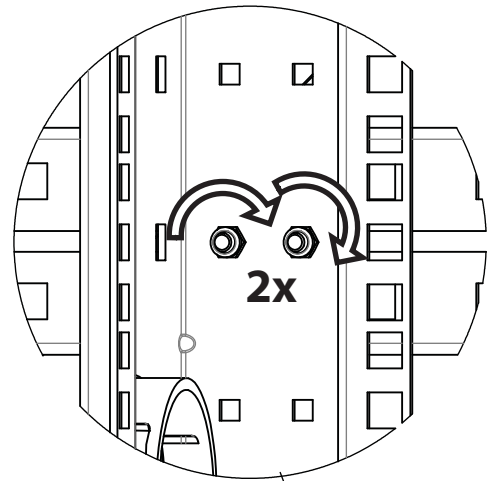
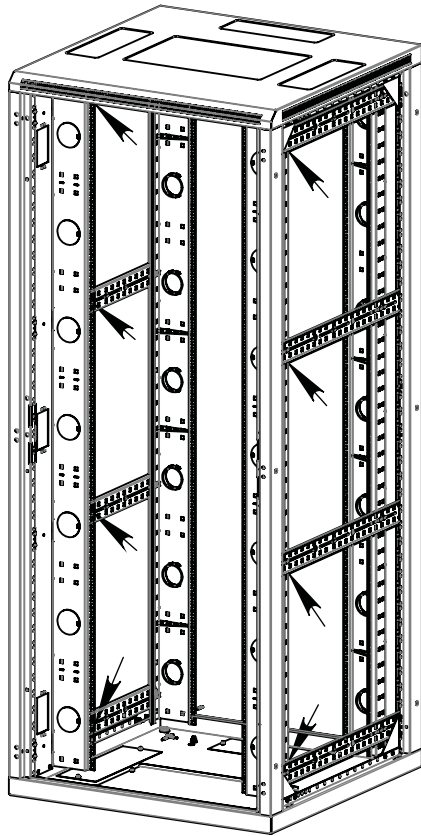




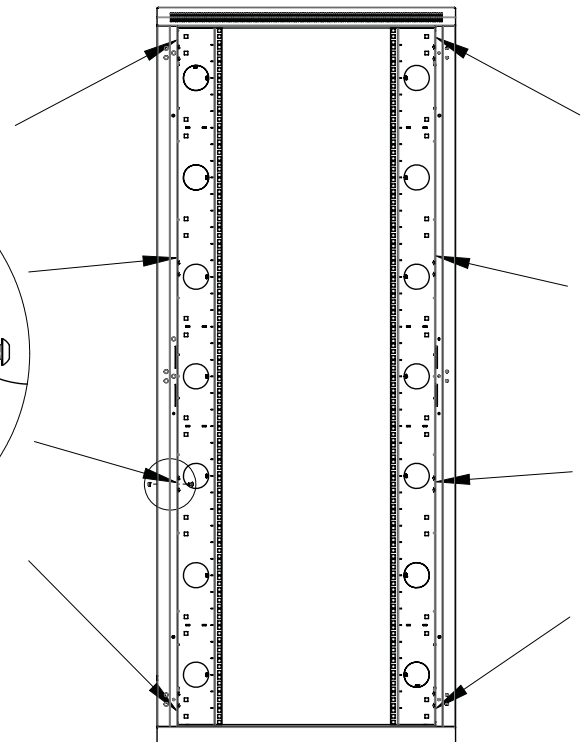
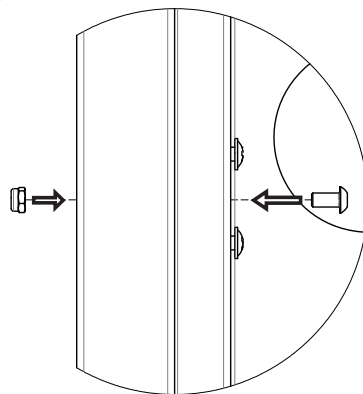
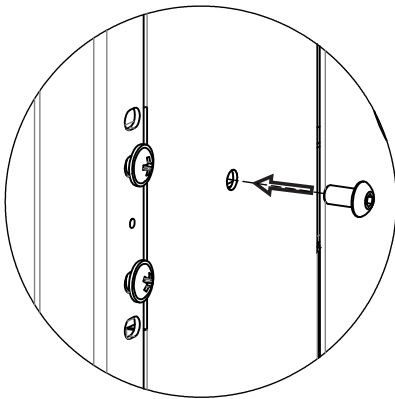
## 2.6.



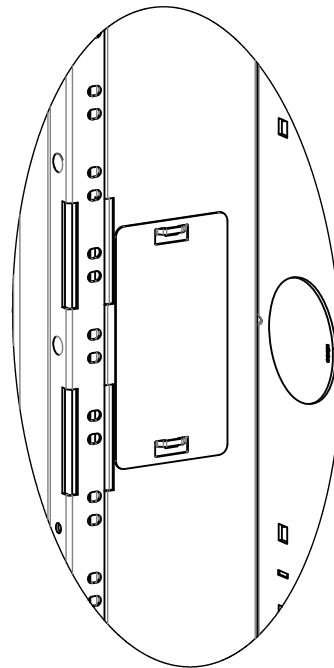
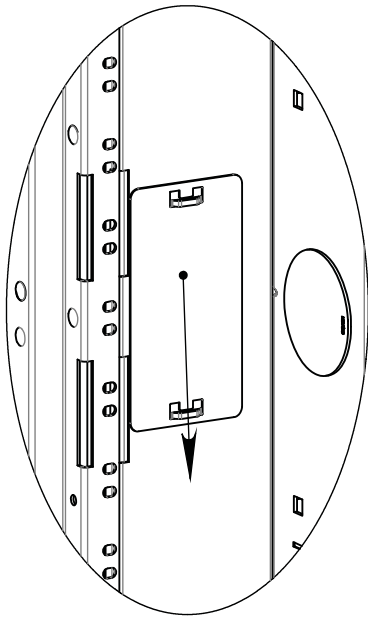
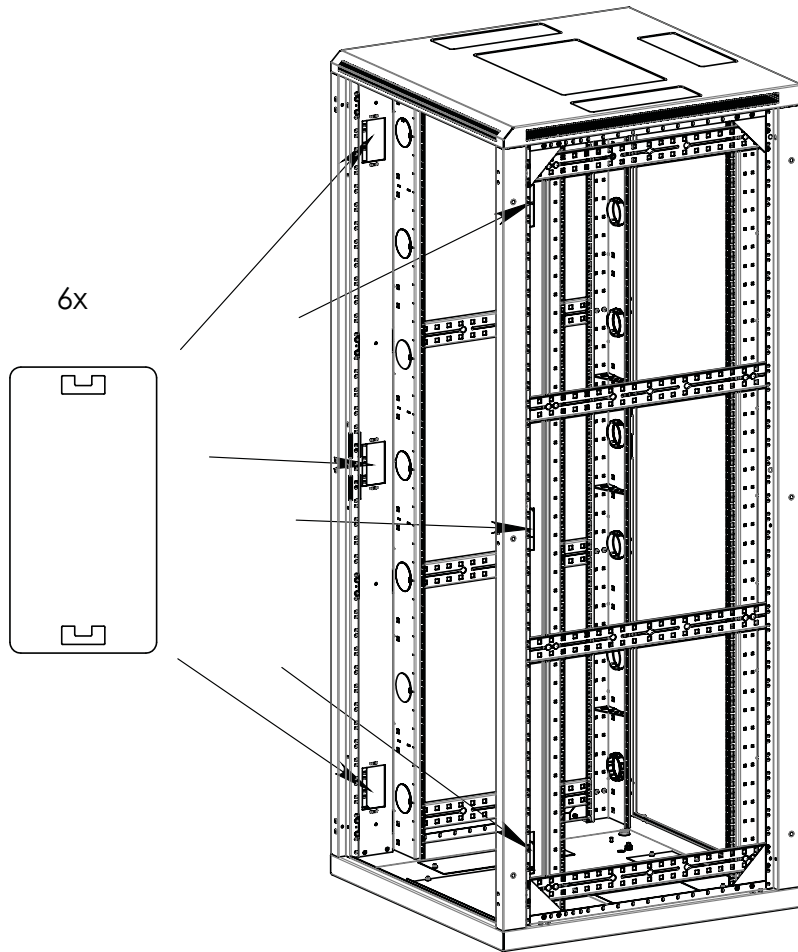
2.7.



2.8.

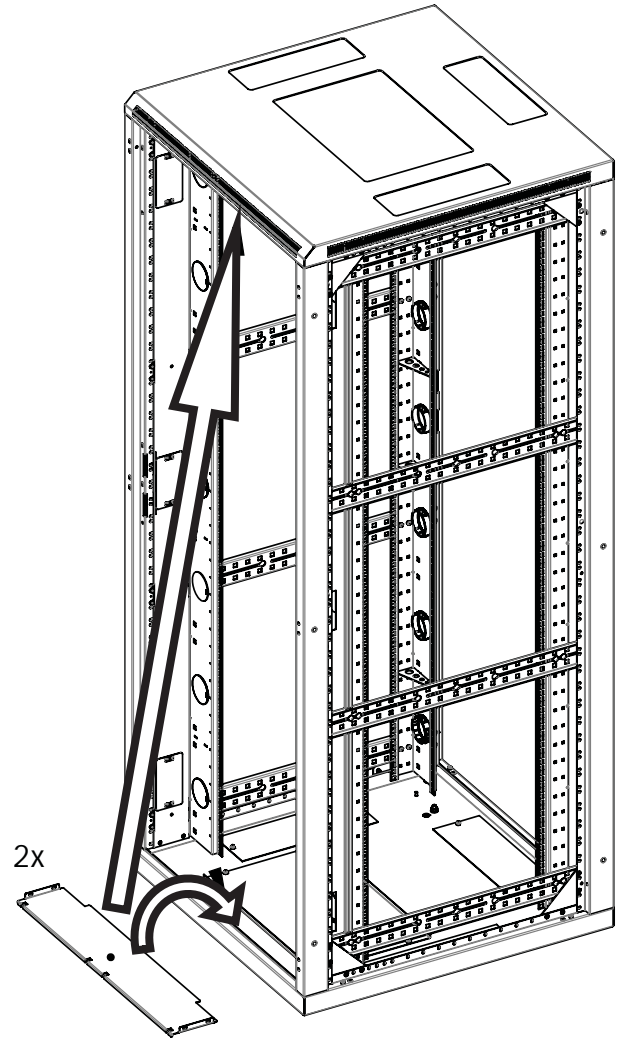
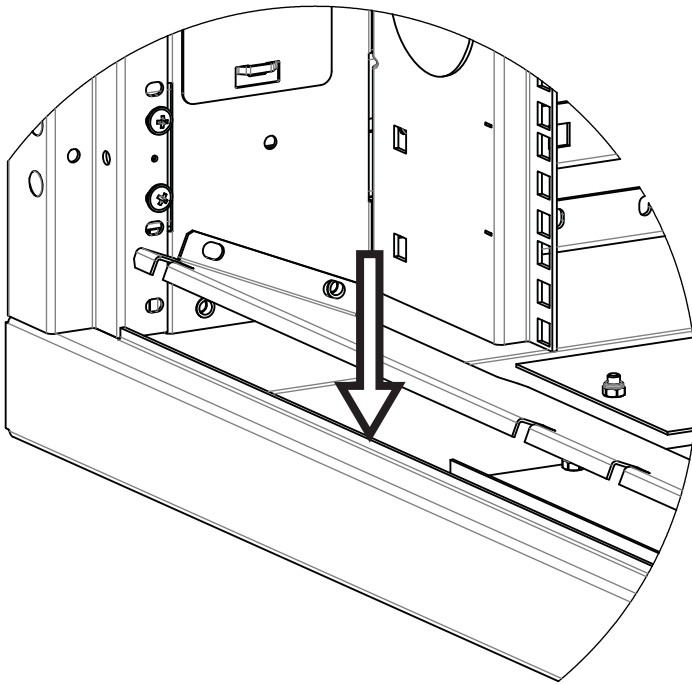


## 2.9.

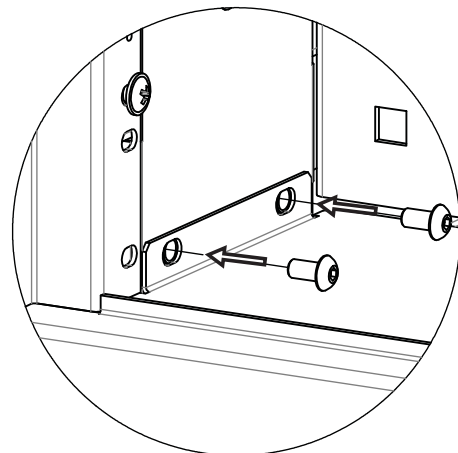
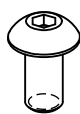


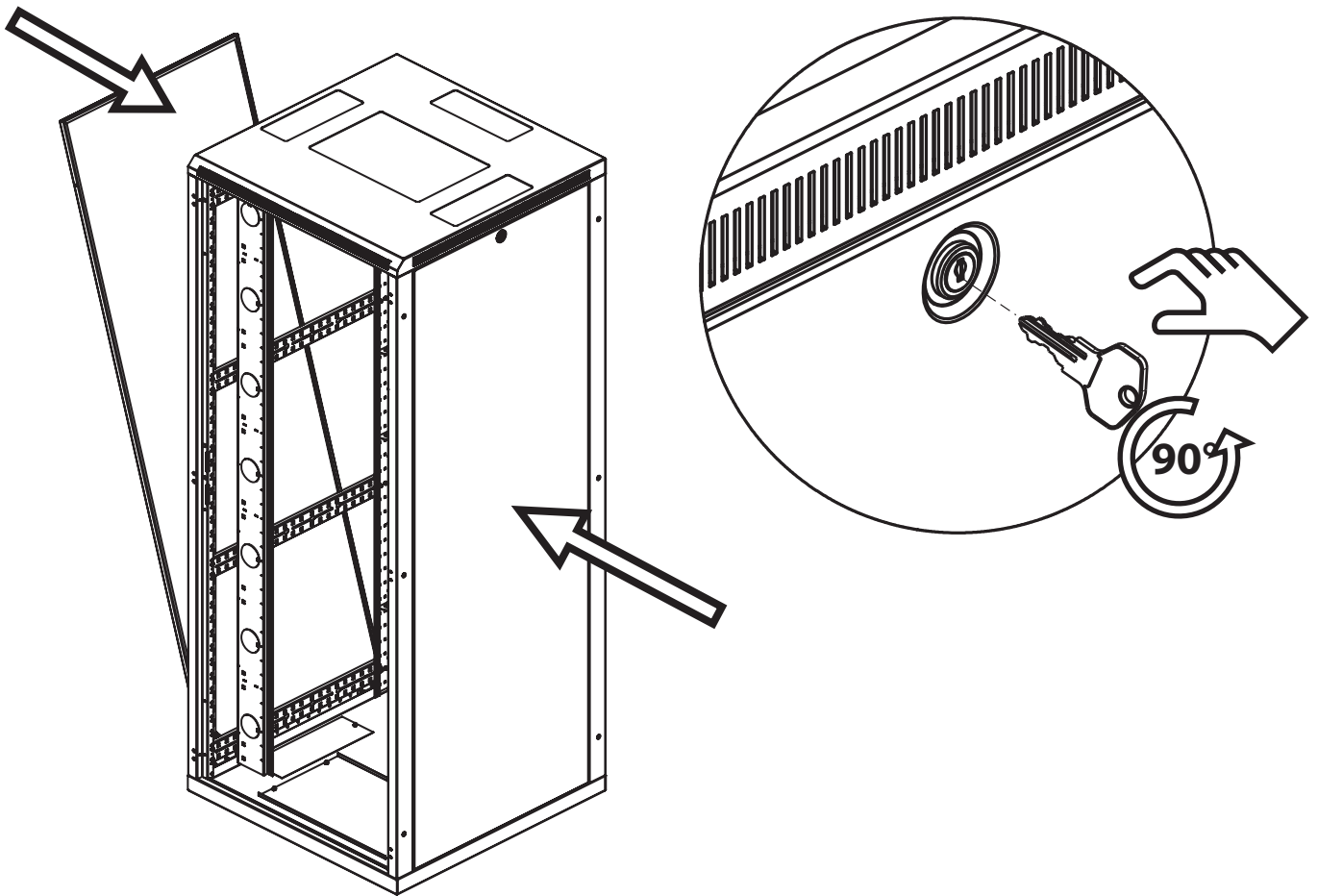


# 2.10.



8x





**CONTEG, spol. s r.o.**

**Headquarters Czech Republic:**  
 Na Vítězné pláni 1719/4  
 140 00 Prague 4

Tel.: +420 261 219 182  
 Fax: +420 261 219 192  
 conteg@conteg.com  
 www.conteg.com

**Local Offices:**

Austria:	+43 699 1819 7071
Benelux:	+32 477 957 126
Eastern Europe / Nordics:	+49 172 8484 346
France, Maghreb:	+33 686 074 386
Germany / Switzerland / Baltics / Denmark / Italy:	+49 170 523 4958
Middle East:	+971 555 08 32 41
Russia, CIS:	+7 495 967 3840

